

LOAD BINDER

Leading The Way Of Precision Manufacturing

HARDWARE & MACHINERY

RIGGING HARDWARE





COMPANY PROFILE

THINKWELL HARDWARE & MACHINERY CO.,LTD IS PROFESSIONAL MANUFACTURING FACILITY PROVIDING RIGGING HARDWARE ,ELECTRIC LINE POLE POWER FITTINGS, RAILER HITCHES & PULLEYS, ORNAMENTAL WROUGHT IRON, CONTAINER FITTINGS, MARINE HARDWARE, MISC HARDWARE AND CNC PARTS .OUR TK BRAND IS WIDELY USED IN METALLURGICAL MACHINERY, ELECTRIC POWER PLANTS, COAL OPERATION , PORT OPERATIONS, PETROCHEMICAL INDUSTRY, ENGINEERING, BRIDGES, HYDRAULIC ENGINEERING, SHIPPING, CABLE-WAYS, OVERHEAD & FIXED CRANES ALONG WITH PORTABLE MOBILE CRANES ETC. OUR INTERNATIONAL SALE REPRESENTATIVES WORK HAND AND HAND WITH OUR INSIDE SALE REPRESENTATIVES PROVIDING CUSTOMER SATISFACTION THROUGH ON-TIME MANUFACTURING & DELIVERY SCHEDULES, PROFICIENT DOCUMENTATION FOR HASSLE FREE SERVICE AND HANDLE QUESTIONS WITH SOLUTIONS FOR TECHNICAL ISSUES. THINKWELL IS A FULLY ROUNDED SERVICE MANUFACTURE.

THE FACTORY COVERS AN AREA OF 10,000 SQUARE METERS AND EMPLOYS OVER 250 FULL-TIME STAFF . AN ENGINEERING DEPARTMENT, DESIGN DEPARTMENT, TECHNICAL DEPARTMENT WITH 15 TECHNICIANS AND A QC/QA DEPARTMENT OVERSEEING ALL OPERATIONS. TWO FORGING WORKSHOPS AND A MOLD WORKSHOP. OUR BASIC EQUIPMENT INCLUDES: 1000T/630T/400T/300T/160T FORGING MACHINES, AIR HAMMERS, HEATING FURNACE, ROLLING MACHINES, TAPPING MACHINES, BLASTING MACHINES AND SO ON. OUR FACTORY HAS JOINT VENTURE RELATIONSHIPS WITH THE HEAT TREATMENT FACTORY ,MILLING FACTORY AND GALVANIZING PLANT. THROUGH OUR QC PROGRAM END USERS CAN ENJOY SAFE, RELIABLE AND THE HIGHEST QUALITY TK BRAND PRODUCTS THEY EXPECT. THINKWELL'S REPUTATION IS RECOGNIZED THROUGH WORLDWIDE BUYERS FOR OVER 16+ YEARS.





Thinkwell CERTIFICATE

- Over 15 years producing experience in Hardware&Steel Parts
- Professional Design Team to develop and design new parts according to customers' requirements
- Professional Quality Control Team and advanced Testing Machine to insure the quality
- Professional Sales Team to give inquiry feedback in the first time.
- Customized Parts, Customized Logo and Customized Packing available
- 12 months Quality Guarantee.



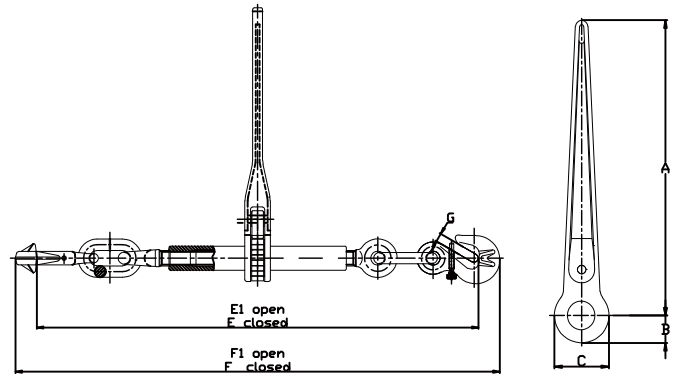
TABLE OF CONTENTS

- ① Load Binder.....
- ② Shackle.....
- ③ Hook.....
- ④ Turnbuckle.....
- ⑤ Eye Bolt.....
- ⑥ Ring.....
- ⑦ Wire Rope Clip.....
- ⑧ Wire Rope Thimble.....



1.L140 Ratchet Load Binder

- Forged Carbon Steel
- Breaking Load: 3.5 times W.L.L.
- Surface: Powder Painted

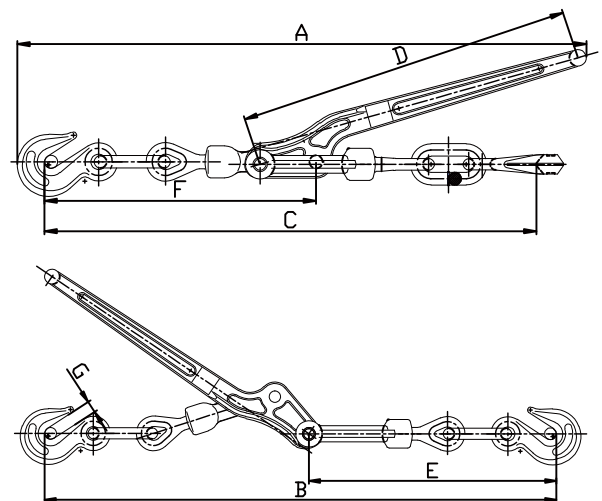


Part No	Min-Max Chain Size (in.)	W.L.L. (lbs.)	Proof Load (lbs.)	Breaking Load (lbs.)	Weight (lbs.)	Handle Length (in.)	Dimensions(in.)							
							A	B	C	E	E1	F	F1	G
TKR0001	1/4-5/16	2200	4400	7800	3.52	7.16	7.16	0.89	1.17	16.22	21.26	17.79	22.83	0.35
TKR0002	5/16-3/8	5400	10800	19000	10.5	13.92	13.92	1.3	2.6	22.64	30.64	25.24	33.24	0.51
TKR0003	3/8-1/2	9200	18400	33000	12.9	13.92	13.92	1.3	2.6	24.13	32.13	27.04	35.04	0.59
TKR0004	1/2-5/8	13000	26000	46000	14.38	21	13.92	1.3	2.6	26.45	34.45	30.07	38.07	0.74



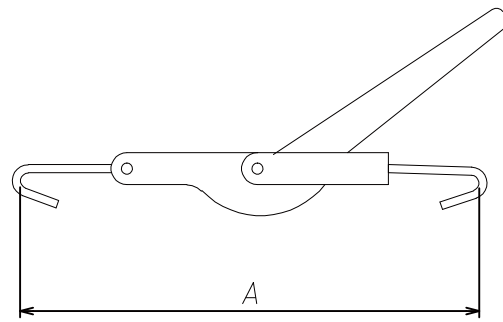
2.L-150 Standard Lever Type Load Binder

- Forged Carbon Steel
- Breaking Load: 3.5 times W.L.L.
- Surface: Powder Painted



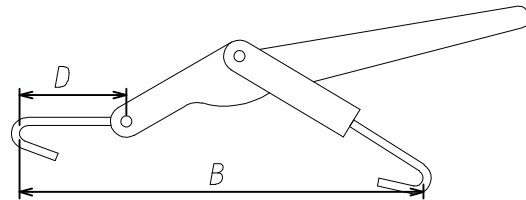
Part No	Min-Max Chain Size (in.)	W.L.L. (lbs.)	Proof Load (lbs.)	Ultimate Load (lbs.)	Weight (lbs.)	Handle Length (in.)	Take Up (in.)	Dimensions(in.)						
								A	B	C	D	E	F	G
TKR0005	1/4-5/16	2200	4400	7800	3.52	11.42	3.75	18.5	17.3	14.17	11.42	8.27	8.07	0.35
TKR0006	5/16-3/8	5400	10800	19000	7.02	16	4.5	24.13	22.13	17.88	16	10.38	10.38	0.5
TKR0007	3/8-1/2	9200	18400	33000	12.47	18.69	4.5	28.75	25.75	21.25	18.69	12.31	12.38	0.63
TKR0008	1/2-5/8	11000	22000	44000	19.7	21	4.75	33.86	30.12	25.87	20.87	14.37	14.37	0.74

Load Binder



3. Mini Load Binder

- Forged Carbon Steel
- Breaking Load: 3.5 times W.L.L.
- Surface: Powder Painted

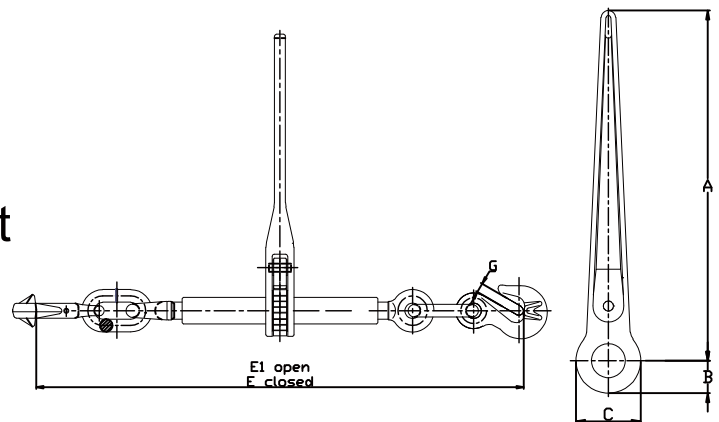


Part No	Size	W.L.L. (lbs.)	Proof Load (lbs.)	Ultimate Load (lbs.)	Weight (lbs.)	Handle Length (in.)	Dimensions (in.)		
							A	B	D
TKR0009	LT250	250	500	880	1.43	9.05	12.4	8.82	2.75
TKR0010	LT375	375	750	1300	1.4	9.05	12.2	9.5	3.23

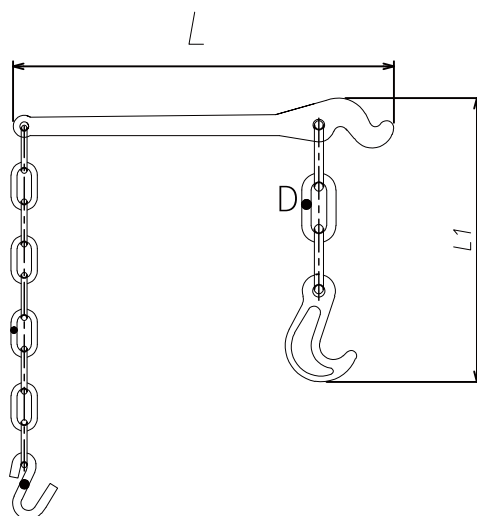


4. European Type G80 Ratchet Load Binder

- Forged Carbon Steel
- Breaking Load: 3.5 times W.L.L.
- Surface: Powder Painted



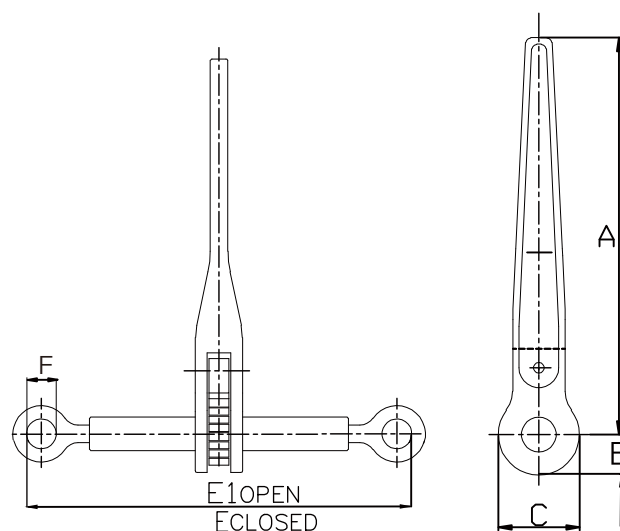
Part No	Size (mm)	W.L.L. (lbs.)	Proof Load (lbs.)	Breaking Load (lbs.)	Weight (lbs.)	Take Up (in.)	Dimensions (in.)					
							A	B	C	E	E1	G
TKR0011	6	2200	4400	7800	3.52	4.65	7.16	0.89	1.77	17.4	22.04	0.35
TKR0012	8	5400	10800	19000	10.5	8	13.92	1.3	2.6	23.78	31.78	0.47
TKR0013	10	9200	18400	33000	12.2	8	13.92	1.3	2.6	23.78	31.84	0.63
TKR0014	13	13000	26000	46000	14.38	8	13.92	1.3	2.6	25.9	33.9	0.72
TKR0015	16	24000	48000	72000	19	10	13.92	1.3	2.6	26.5	34.8	0.92



5. Tension Lever

- Forged Alloy Steel / Carbon Steel
- Breaking Load: 3.5 times W.L.L.
- Surface: Powder Painted

Part No	Min-Max Chain Size (mm)	Weight (kg)	B.L.(T)	Dimensions(mm)		
				L	L1	D
TKR0016	9	3.8	10	600	275	11
TKR0017	11	4.4	15	600	345	12
TKR0018	13	5.5	20	650	385	13

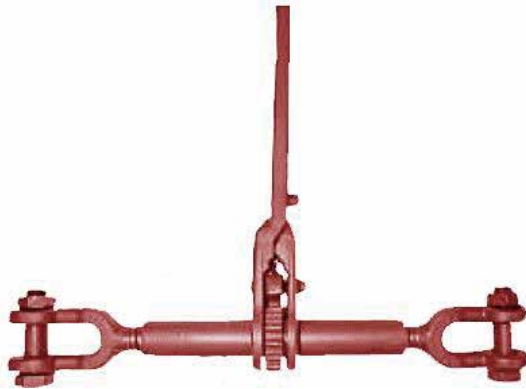


6. Ratchet load binder

- Forged Carbon Steel
- Breaking Load: 3.5 times W.L.L.
- Surface: Powder Painted

Part No	Chain Size (in.)	Working load limit (lbs.)	Weight (lbs.)	Dimensions(mm)					
				A	B	C	E	E1	F
TKR0019	5/16-3/8	5400	7.8	13.92	1.3	2.6	13.7	21.7	0.79
TKR0020	3/8-1/2	9200	7.8	13.92	1.3	2.6	13.7	21.7	1.02
TKR0021	1/2-5/8	13000	8.5	13.92	1.3	2.6	14.17	22.17	1.02

Load Binder



7. Clevis Jaw Ratchet Load Binder

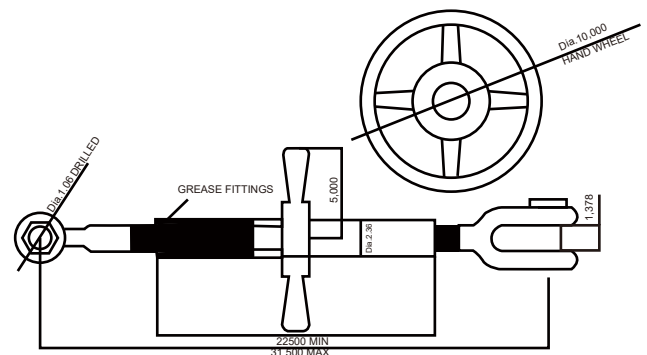
- Forged Carbon Steel
- Breaking Load: 3.5 times W.L.L.
- Surface: Powder Painted

Part No	Sizes	Working load limit (lbs.)	Weight (lbs.)	Dimensions (in.)				
				Threads	Barrel	Open	Close	Bolt Size
TKL021	1" * 10"	13000	15	1	10	26	18	3/4
TKL022	1- 3/ 8" * 12"	28000	34.2	1- 3/ 8	12	33	22- 1/ 2	1
TKL023	1- 3/ 4" * 12"	42000	50	1- 3/ 4	12	31- 1/ 2	21- 1/ 2	1-1/2



8. Hand Wheel Turnbuckle with Clevis Jaws

- Forged Carbon Steel
- Breaking Load: 3.5 times W.L.L.
- Surface: Powder Painted



Part No	Take-Up (in.)	Barrel Length (in.)	Wheel Dia. (in.)	Threads Dia. (in.)	Bearing to Bearing (Closed-Open)	Jawbolt Throat Opening (in.)	Working load limit (lbs.)	Proof Load (lbs.)	Weight (lbs.)
TKR0025	10	12	8	1	18-28	1-1/8	13000	26000	16
TKR0026	10	12	8	1-3/8	22-32	1-5/16	28000	56000	28
TKR0027	10	12	10	1-3/8	28-38	1-5/16	28000	56000	33